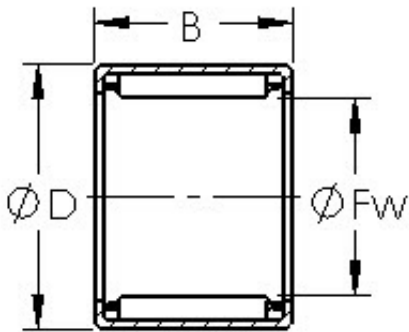




TUNG PAY INDUSTRIAL CO., LTD.



AST HK2030 needle roller bearings

Bearing No. HK2030

Size	20x26x30 mm
Bore Diameter	20 mm
Outer Diameter	26 mm
Width	30 mm
Bearing Type	Cage Retained Rollers
Outer Dia (D)	26.0000
Width (B)	30.0000
Dynamic Load Rating (Cr)	21,800
Static Load Rating (Cor)	40,000
Max Speed (Grease) (X1000 RPM)	12,000
Shaft (Fw)	20.000
Weight (g)	35.00
Material - Drawn cup: Hardened carbon steel alloy, Rollers	52100 Chrome steel or equivalent

HK2030 Bearing 2D drawings and 3D CAD models