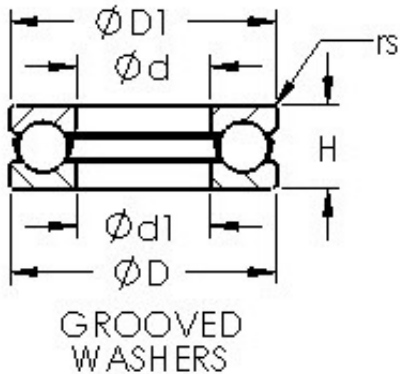




# TUNG PAY INDUSTRIAL CO., LTD.



## AST 51311 thrust ball bearings

Bearing No. 51311

Bore Diameter	55 mm
Outer Diameter	105 mm
Bearing Type	with grooved raceway(s)
Bore Dia (d)	55.0000
Outer Dia (D)	105.0000
Radius (min) (rs)	1.100
Static Load Rating (Cor)	246,000
Dynamic Load Rating (Cr)	118,000
Max Speed (Grease) (X1000 RPM)	2
Max Speed (Oil) (X1000 RPM)	2
Height (H)	35.0000
Outer Dia. Pilot (D1)	105.0000
Bore Dia. Clearance (d1)	57.0000
Weight (g)	1,333.00
Material	52100 chrome steel, or equivalent.

51311 Bearing 2D drawings and 3D CAD models